



TGS 6x2 Midlift Lite Tractor

Chassis Specification: TGS 24.400 6x2/2 BLS
 TGS 24.440 6x2/2 BLS
 TGS 24.480 6x2/2 BLS



MAN EGR: Add Nothing!

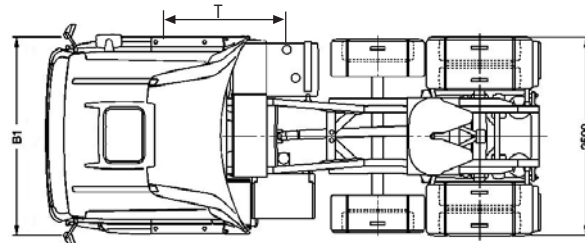
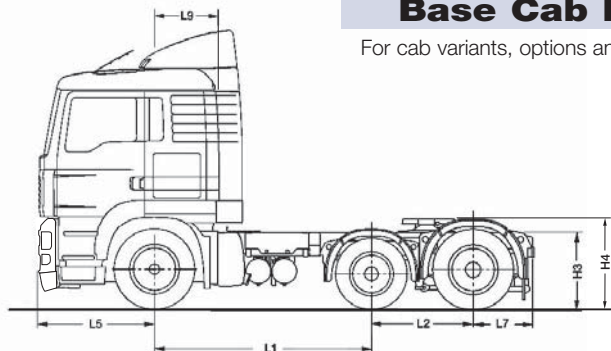
TGS 24.400 6x2/2 BLS Midlift Lite Tractor TGS 24.440 6x2/2 BLS Midlift Lite Tractor TGS 24.480 6x2/2 BLS Midlift Lite Tractor

Chassis Specification

Base Cab Model

TGS 'L' Cab

For cab variants, options and specifications see separate TGS cab specification sheet



Vehicle Dimensions (mm)

L1	Wheelbase	2800
L2	Rear bogie spread	1100
L5	Front overhang	1475
L7	Rear overhang	800
L9	Centre line front axle to back of cab	805
B1	Width across wings	2500
H3	Frame height at centre rear wheels	- laden 942 - unladen 972
H4	Standard 5th wheel height	- laden 1205 - unladen 1235
T	Centre of front axle to centre of fuel tank	1335

Turning Circle

WTW	Wall to Wall	14700
KTK	Kerb to Kerb	13000
	Optimum 5th wheel position for standard specification	885

Unladen Weights (kg +/- 2.5%)

Front axle	4765
Rear axle	2530
Total	7295

N.B. Unladen weights are for vehicle in standard specification with 25 litres of fuel and without driver.

Plated/Operating Weights (kg)

	Design	UK Legal
GCW Gross Combination Weight	50000	40000 ⁽¹⁾ /44000 ⁽²⁾
GVW Gross Vehicle Weight	23000	23000
Front axle	8000	7100
Midlift axle	5500	5200 ⁽¹⁾ /5000 ⁽²⁾
Drive axle	11500	10800 ⁽¹⁾ /10500 ⁽²⁾

N.B. Tyre changes can effect legal weights. ⁽¹⁾@ 40000 kg or below ⁽²⁾above 40000 kg.

Optional Equipment & Weights (kg)

	Front	Rear	Total		Front	Rear	Total
D26 Engine in lieu of D20 engine	+25	0	+25	Door extensions	+12	0	+12
Fixed 5th wheel	+12	-61	-49	Air Conditioning	+40	0	+40
16 Speed manual gearbox	+36	+29	+65	'M' Day cab	-216	0	-216
ZF PTO NH/4	+4	+3	+7	'LX' Sleeper cab	+35	0	+35
ZF PTO N221/10	+8	+7	+15	Lead up ramps	-6	+32	+26
Alloy Air Tanks	-4	-11	-15	ADR Preparation	+30	+10	+40
Windows in rear cab wall	+12	0	+12	Components weights are provided as a guide and may vary depending on make and manufacturing tolerances.			
9.00 x 22.5 Alcoa Alloy Wheels	-38	-102	-140				
3 piece steel bumper	+88	-24	+64				
225 Ah Batteries	+30	0	+30				

TGS 24.400 6x2/2 BLS Midlift Lite Tractor

TGS 24.440 6x2/2 BLS Midlift Lite Tractor

TGS 24.480 6x2/2 BLS Midlift Lite Tractor



Chassis Specification

Engine Model	D2066LF37 400 PS	D2066LF36 440 PS	D2676LF05 480 PS
D20, 6 Cylinder in-line, 10.5 litre, Euro 4	400PS @ 1900 rpm 1900 Nm @ 1000-1400 rpm	440PS @ 1900 rpm 2100 Nm @ 1000-1400 rpm	480PS @ 1900 rpm 2300 Nm @ 1050-1400 rpm
D26, 6 Cylinder in-line, 12.4 litre, Euro 4			
Features			
<ul style="list-style-type: none"> Exhaust Gas Recirculation (EGR) Common Rail EDC Cruise Control Exhaust valve brake Road speed limiter set not to exceed 56mph (90kph) On-board diagnostics with NO_x control 			
	Power	Torque	

Performance							@44000 kg
Engine Power	Gearbox	Axle Ratio	Gear Road Speed (mph)	Engine RPM @55 mph	Engine RPM @53 mph	Starting Grade	Tyre Size
400PS	ZF 12AS2130 DD	3.08:1	73.9	1430	1375	31.6%+	295/80R22.5
440PS	ZF 12AS2130 DD	2.85:1	79.3	1320	1270	33%+	295/80R22.5
480PS	ZF 12AS2330 DD	2.85:1	79.3	1320	1270	33%+	295/80R22.5

Clutch
Single plate 430mm diameter, non asbestos

Axles
Steer VOK-08 drop beam
Midlift Axle LO-06 non steering
Drive Axle HY-1350 single reduction

Braking System
Type Electronic Brake System (EBS) with Anti-lock Braking System (ABS) and ASR traction control
Features Vented disc brakes, 2 line trailer brake connections and pad wear indicators
Parking Brake Spring brakes on rear axles

Gearbox
MAN Tipmatic 12 speed automated gearbox
Ratios
Forward
1 15.86 2 12.33 3 9.57
4 7.44 5 5.87 6 4.57
7 3.47 8 2.70 9 2.10
10 1.63 11 1.29 12 1.00
Reverse 14.68

Suspension
Steer Axle Taperleaf Springs Hydraulic Dampers Stabiliser
Midlift Axle 2 Bag Air Hydraulic Dampers Air Operated Lift ECAS Controlled
Drive Axle 4 Bag Air Hydraulic Dampers 4-Point Control Arm

Steering Gear
Type ZF 8098 Servocom hydraulically assisted.

Manual Gearbox Options
ZF 16 speed gearbox, with range change and splitter.

Wheels & Tyres
Steer Axle Tyres 295/80R 22.5 steer tread
Wheels 9.00x22.5
Midlift Axle Tyres 285/70R 19.5 steer tread
Wheels 7.50x19.5
Drive Axle Tyres 295/80R 22.5 drive tread
Wheels 9.00x22.5

Exhaust System
Ground discharge silencer. Incorporating MAN PM-KAT® Technology

Frame
Construction Bolted and Riveted
Material High tensile steel
Section 270 x 85 x 8mm 940 - 762mm waisted

General Equipment
Adjustable roof blade air management with cab side deflectors (sleeper models only)
Sliding fifth wheel and base plate
3 piece plastic rear wings and spray reduction mats
Catwalk
Hoses and couplings including ABS lead
Coupling lamp

Fuel Tank
Capacity 480 Litre
Section Rectangular Aluminium with Integral Step RHS mounted Locking cap

Electrical System
Type MANTronic CAN bus system with central on board computer and vehicle management computer
Voltage 24v
Alternator 80 Amp
Batteries 2 x 12v 175Ah

MAN ERF UK Ltd.,
Frankland Road, Blagrove,
Swindon. Wiltshire SN5 8YU
www.man-mn.co.uk

A member of the MAN Group.

